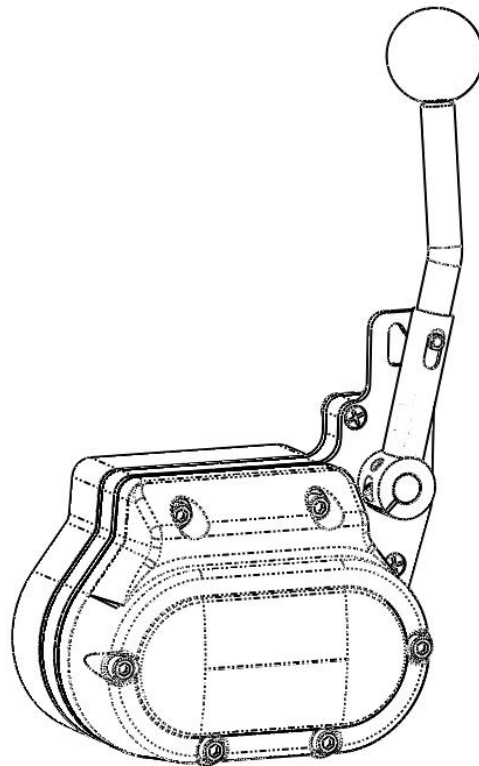




**MOTOR TRIKE**<sup>®</sup>  
I N C O R P O R A T E D



**OWNERS MANUAL FOR THE  
MOTOR TRIKE HARLEY MECHANICAL REVERSE  
1999-2006 FIVE SPEED FLH  
LAST UPDATED: OCTOBER 2011**

## **About your Mechanical Reverse Gear:**

Thank you for purchasing the Motor Trike mechanical reverse gear for your Harley Davidson motorcycle, trike, or sidecar. Please familiarize yourself with this manual. Doing so will ensure years of trouble free performance from your reverse gear.

The mechanical reverse gear is intended exclusively for low speed use. Do not exceed walking speed and keep both hands on the handlebars.

When used with a trike or sidecar, place both feet on the floor boards before and while you are moving.

When used with a two wheeled motorcycle, keep both feet on the ground and go only as fast as you can walk the bike backwards.

This mechanical reverse gear comes equipped with an electronic kill switch to protect the motorcycle from damage. If the reverse and the transmission are simultaneously engaged in gear at the same time, the ignition kill switch will stall the engine.

If this happens, simply place the reverse gear and the transmission in neutral and restart the motorcycle.

Please use Figure 1 below to identify the reverse neutral or reverse engaged positions.

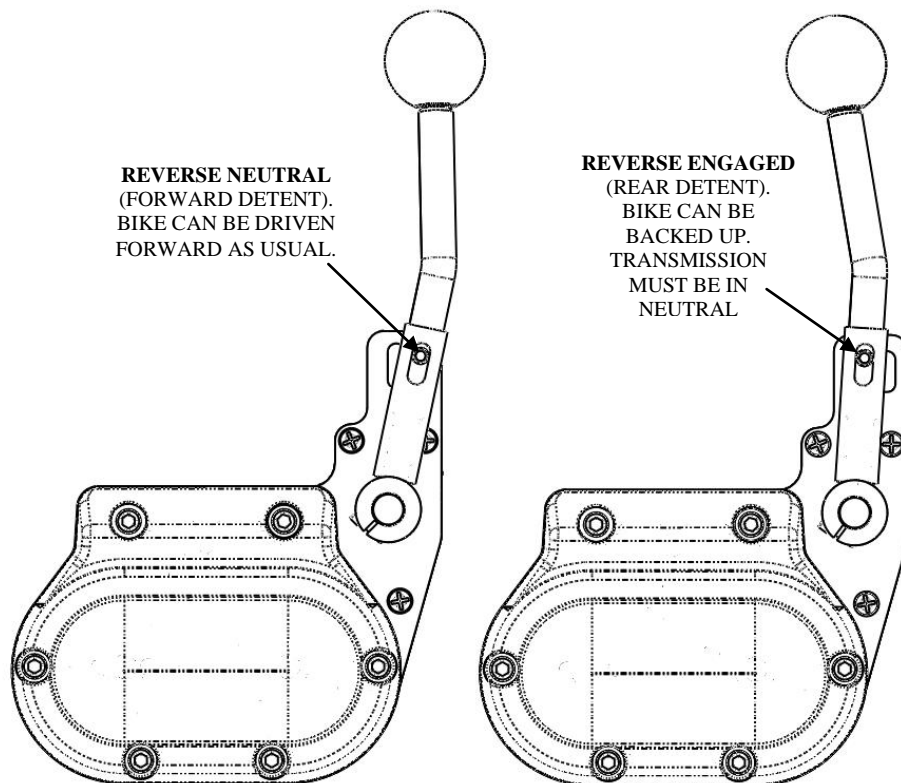


Figure 1: Use image to identify reverse neutral and reverse engaged.

## **Maintenance:**

Your mechanical reverse gear requires no special maintenance. Follow your motorcycle manufacturers recommended oil change intervals.

## **Operating Instructions:**

1. With the engine running, come to a complete stop in first gear. **Keep the clutch lever squeezed to the grip until you are ready to back up.**
2. Shift the transmission into neutral and make sure the green light on the instrument cluster is illuminated. **Note: It is important to leave the transmission in first gear until just before you are ready to backup. If you have been in neutral for more than a few seconds, it is good practice to shift the motorcycle into first gear and then back to neutral before engaging the reverse. This ensures that the main shaft and counter shaft have completely stopped spinning.**
3. While holding the clutch to the grip, reach down with your right hand and engage the reverse gear. See Figure 2 below.

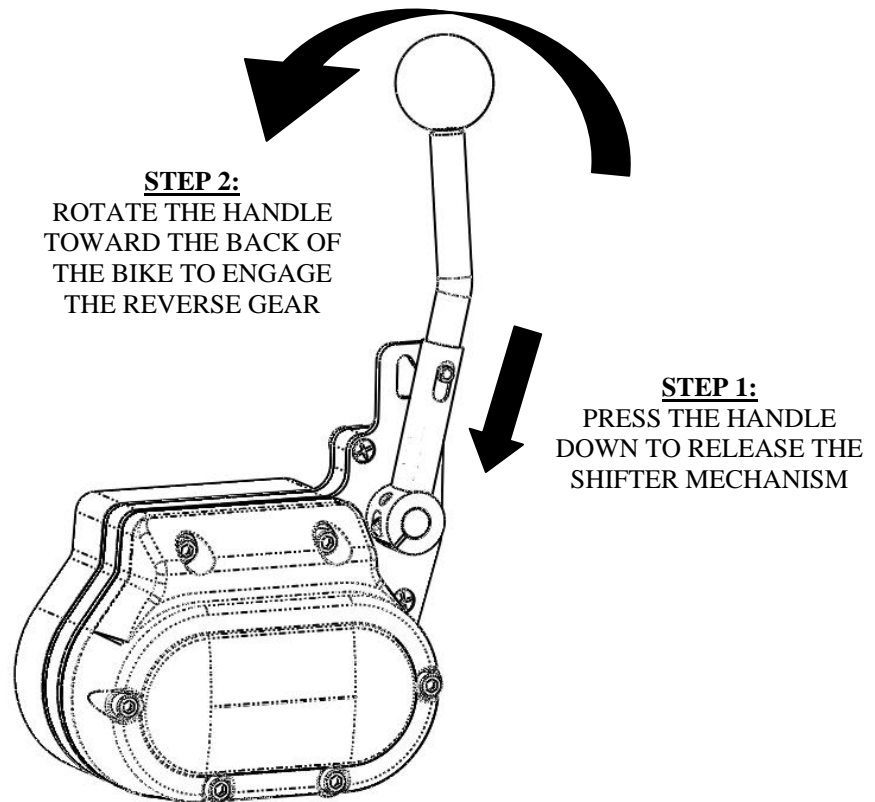


Figure 2: Instructions for engaging the reverse gear.

4. Apply a little throttle and slowly feather the clutch out to inch backwards. Two wheeled motorcycle operators should use caution (go very slow) and walk the bike backwards with their feet on the ground. Trike and side car operators should keep their feet planted on the floor boards.
5. Do not coast backwards with the clutch engaged. Squeeze the clutch lever to the grip anytime you are coasting backwards. Apply your front or rear brake to come to a stop.
6. Shift the reverse gear back into the neutral positions. Make sure the spring loaded handle has the detent firmly in the neutral position. See Figure 1. You can now drive your motorcycle forward as usual.

### **Warranty:**

Your mechanical reverse comes with a one year unlimited mile parts only warranty.

Please register your mechanical reverse gear to activate your warranty. This must be done within a month of receiving your reverse gear.

To register your reverse, visit the following website and fill in the appropriate information: <http://www.motortrike.com/mt3accwarranty.aspx>. If you have any trouble completing your registration, contact Motor Trike customer service at 1-800-90-TRIKE.